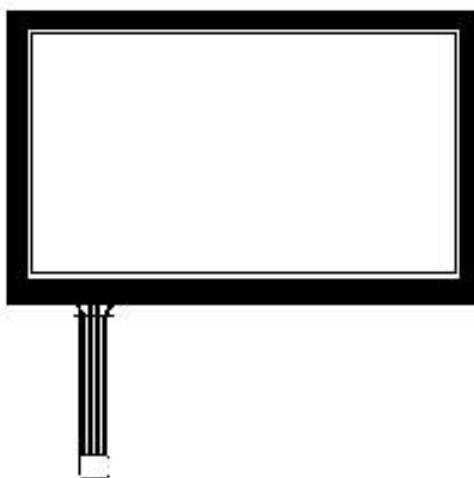


vline

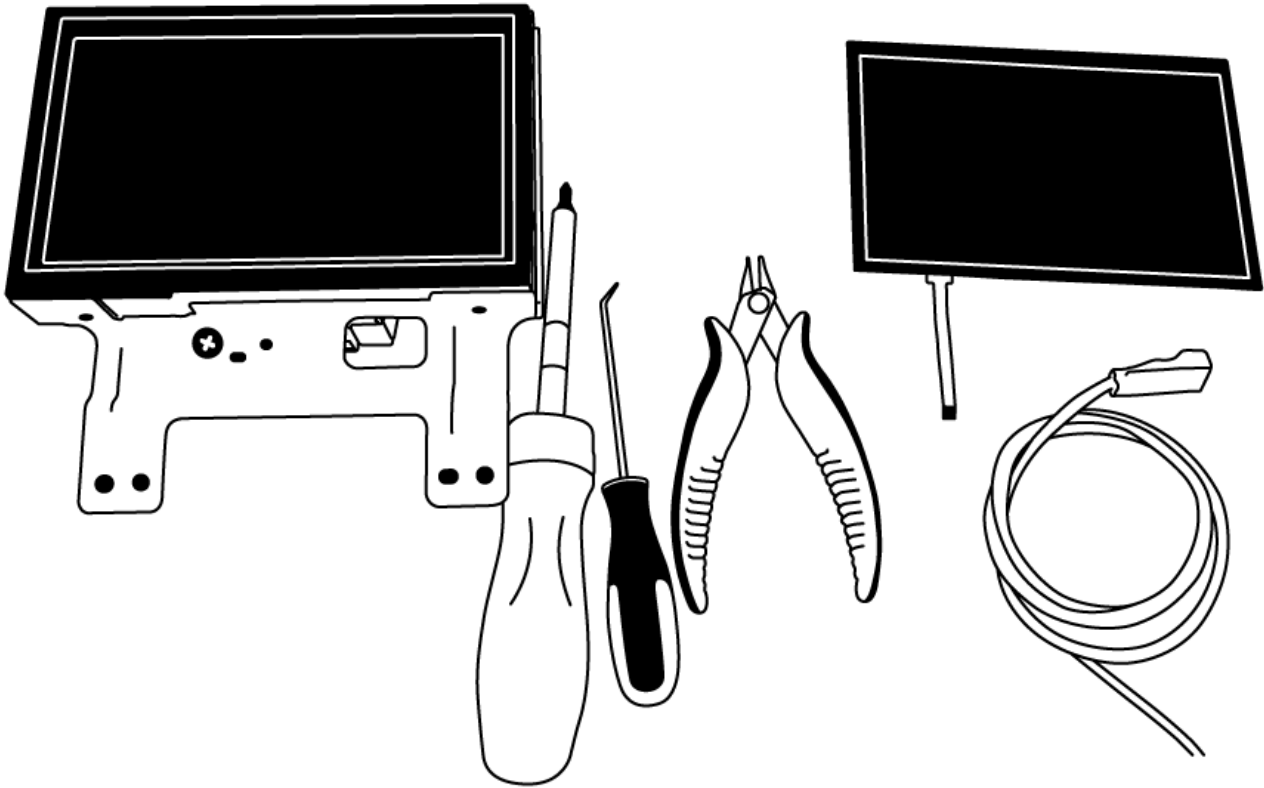


TOUCHSCREEN INSTALLATION MANUAL

NISKVL2

www.gromaudio.com
www.gromaudio.com/support.html





Content of the Touchscreen overlay kit (V-NISKRTH):

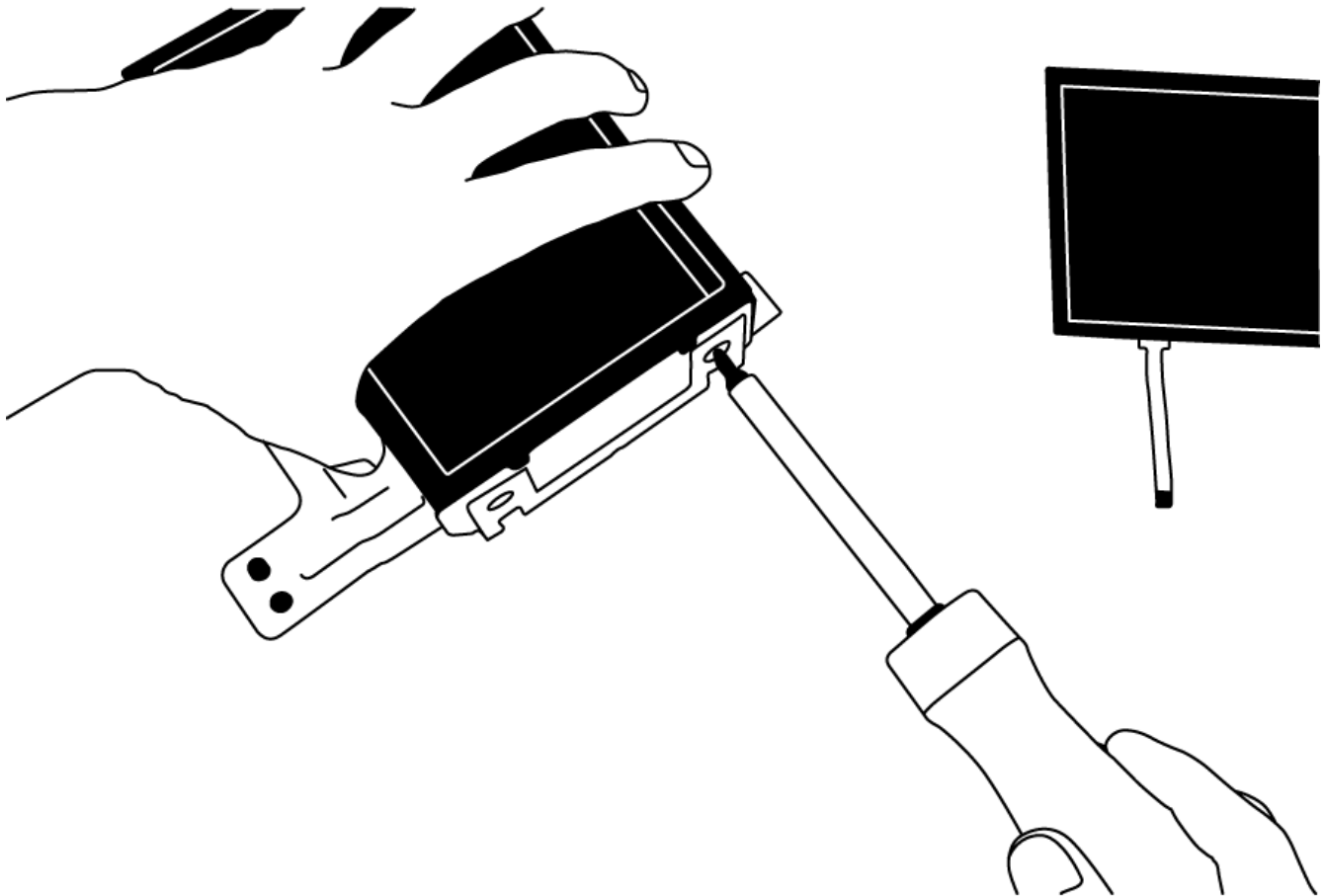
1. Touchscreen overlay panel
2. V-TOUCH Cable and TSB1 converter board
3. 2pc ZIP-TIES
4. Alcohol wipe

Tools needed:

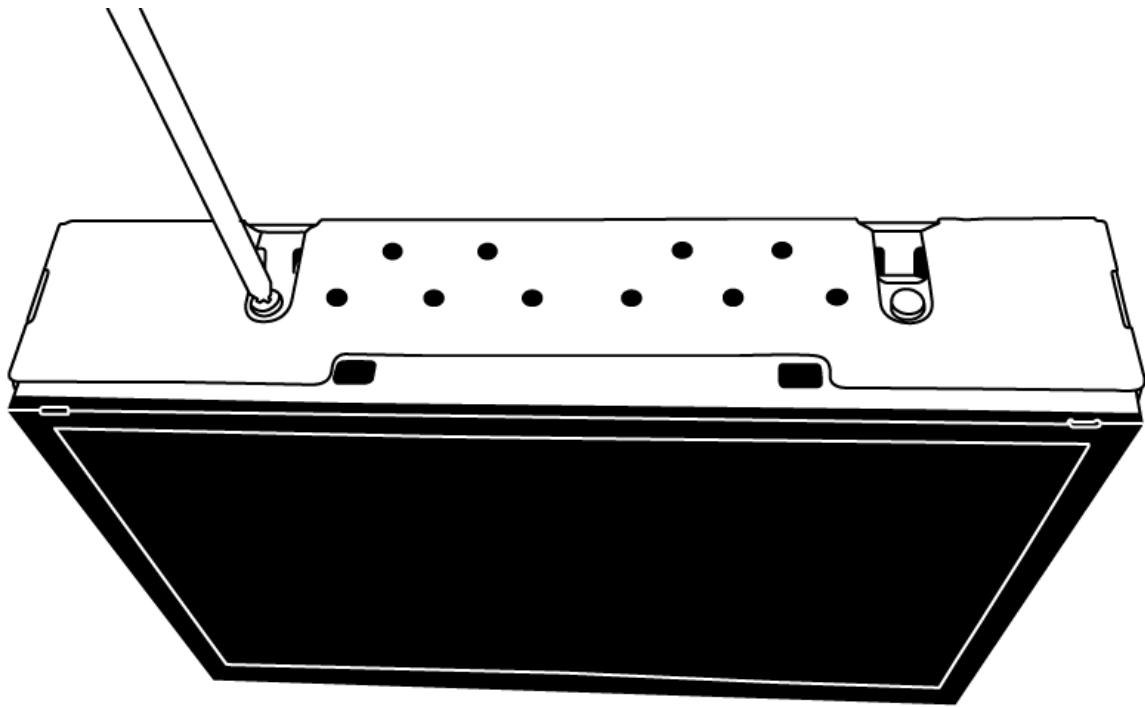
1. Scratch awl/pick
2. Phillips screwdriver
3. Wire cutter

Watch YouTube Video: bit.ly/nisk_touchscreen

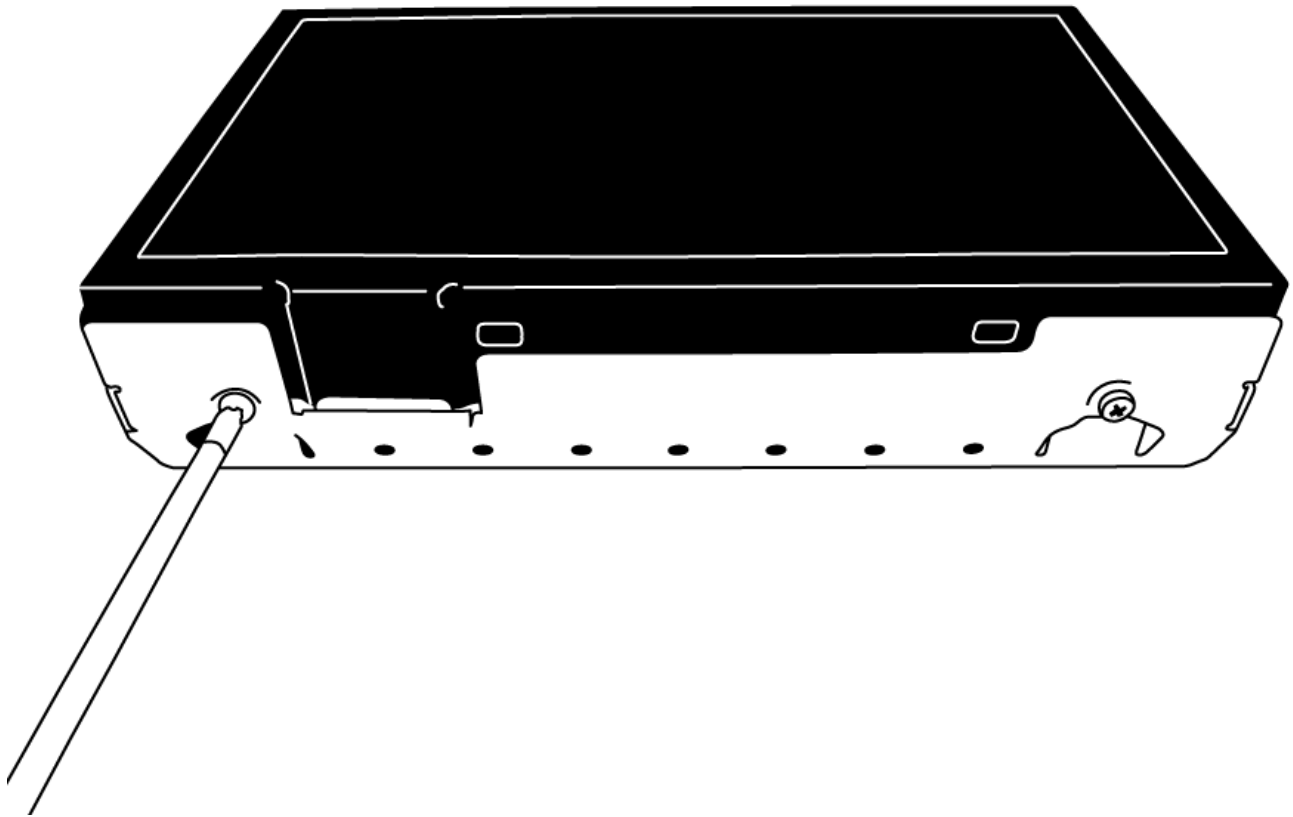
1. Take the stereo assembly, touchscreen overlay kit (V-NISKRTH), and the tools, to a flat surface. We recommend using the table with good lighting.



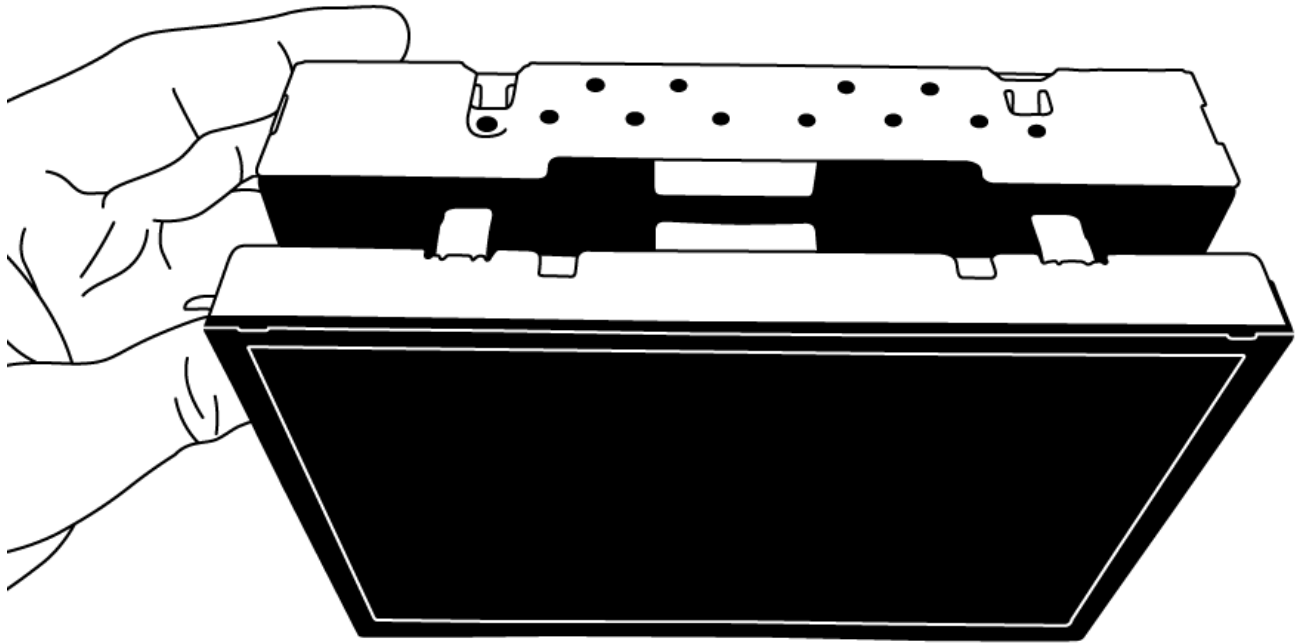
2. Remove 4 Phillips screws from both sides of vehicle's LCD screen assembly, and remove LCD assembly from the metal bracket.



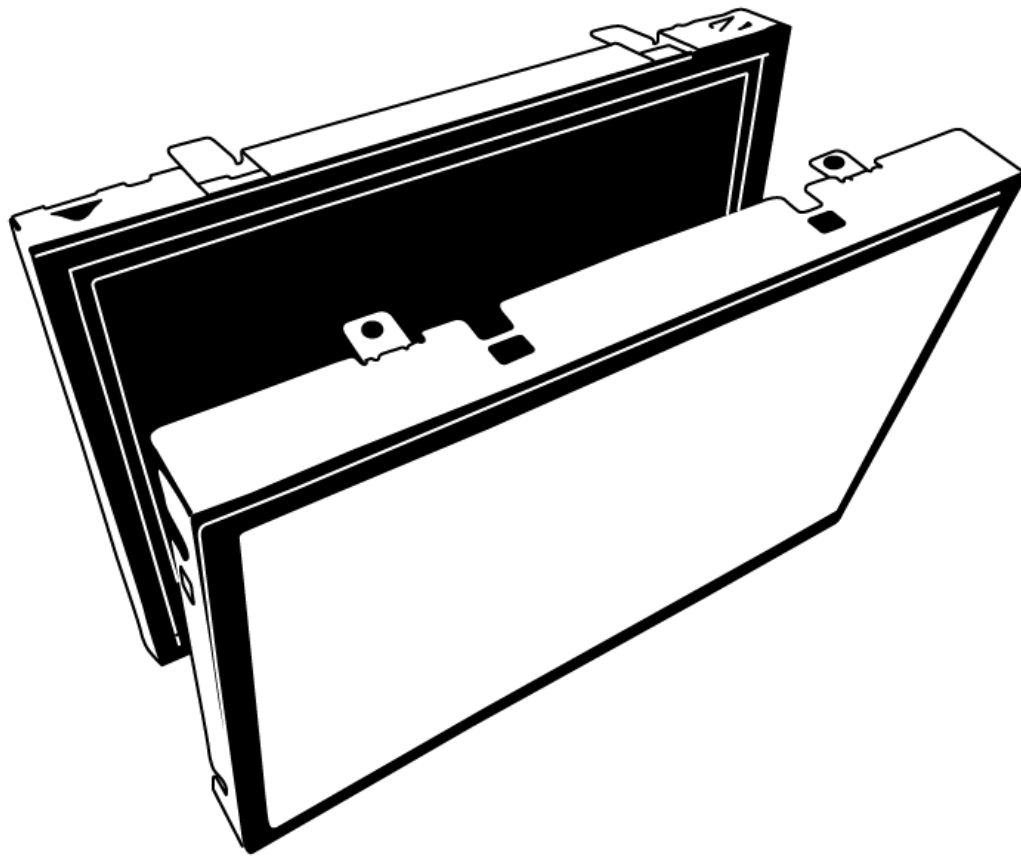
Remove 2 Phillips screws from top of LCD enclosure



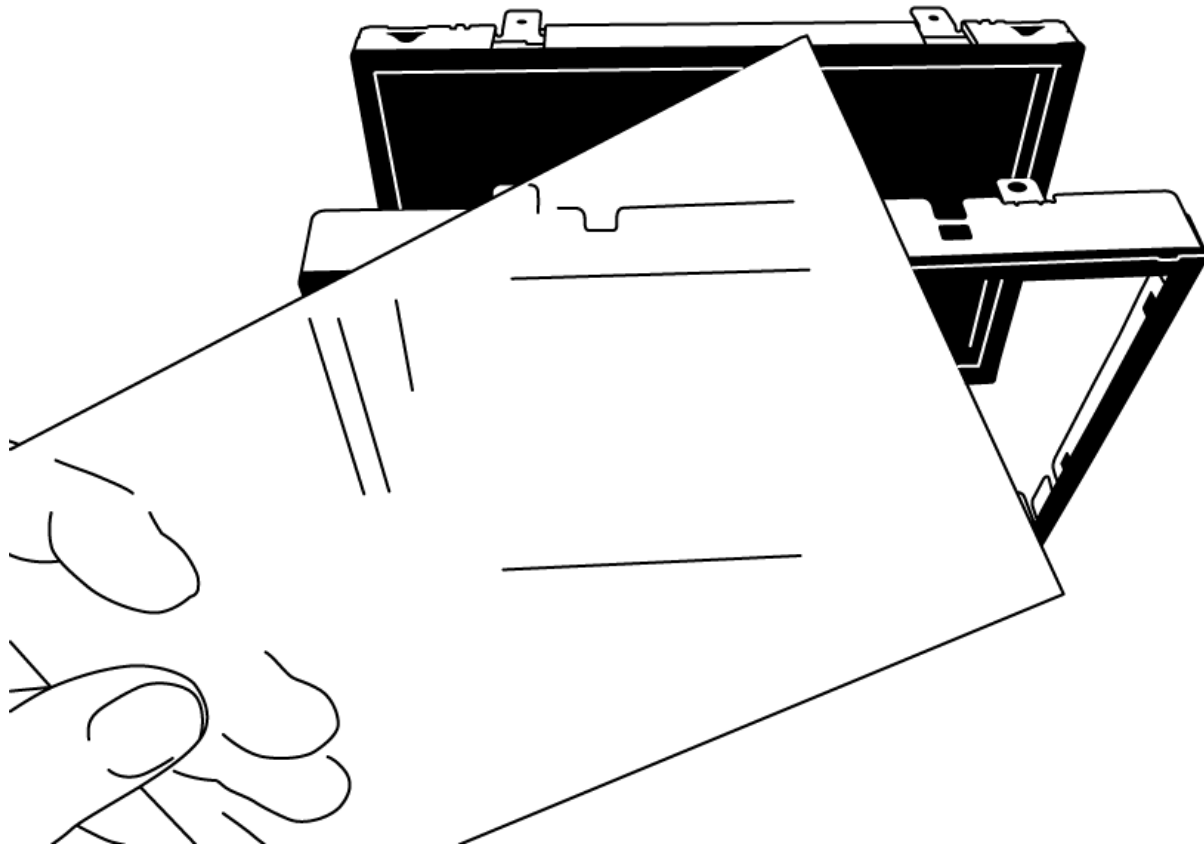
Remove 2 Phillips screws from bottom of LCD enclosure



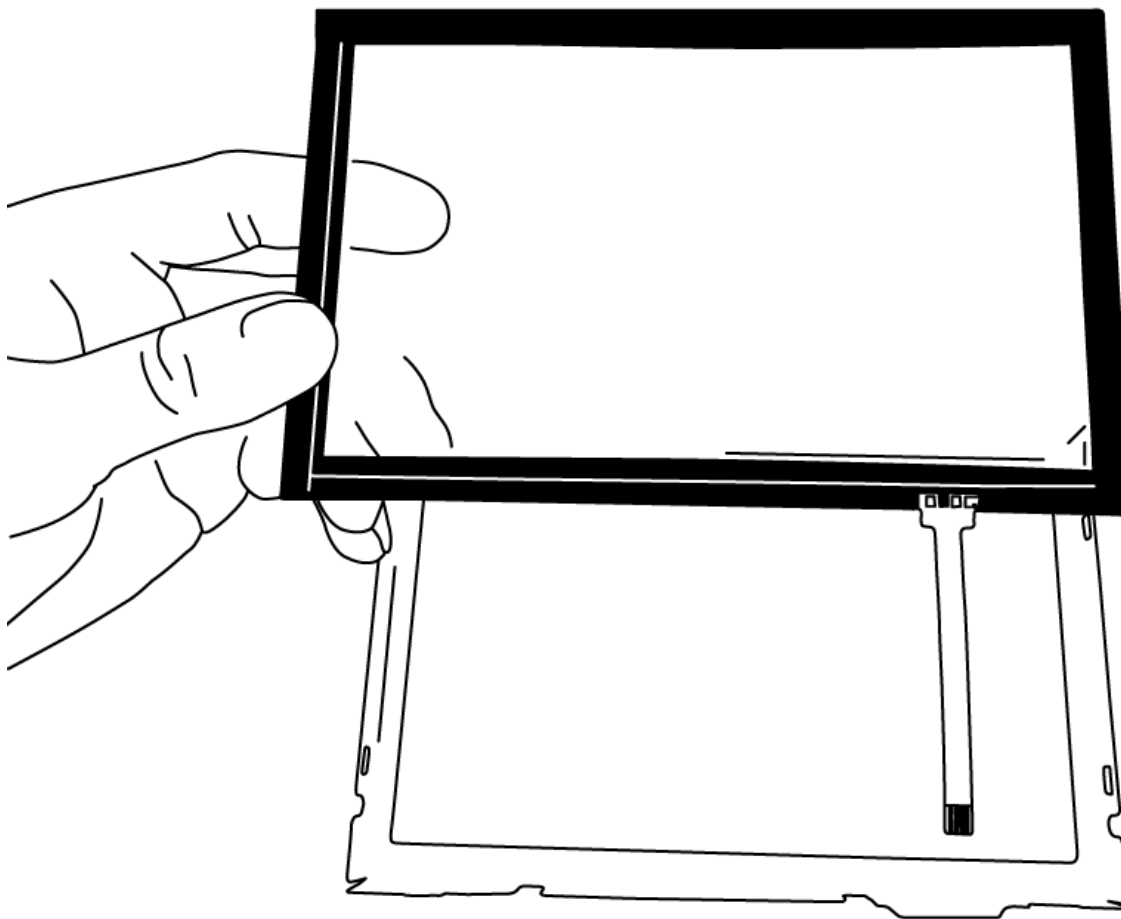
Now remove the back metal cover from the LCD assembly



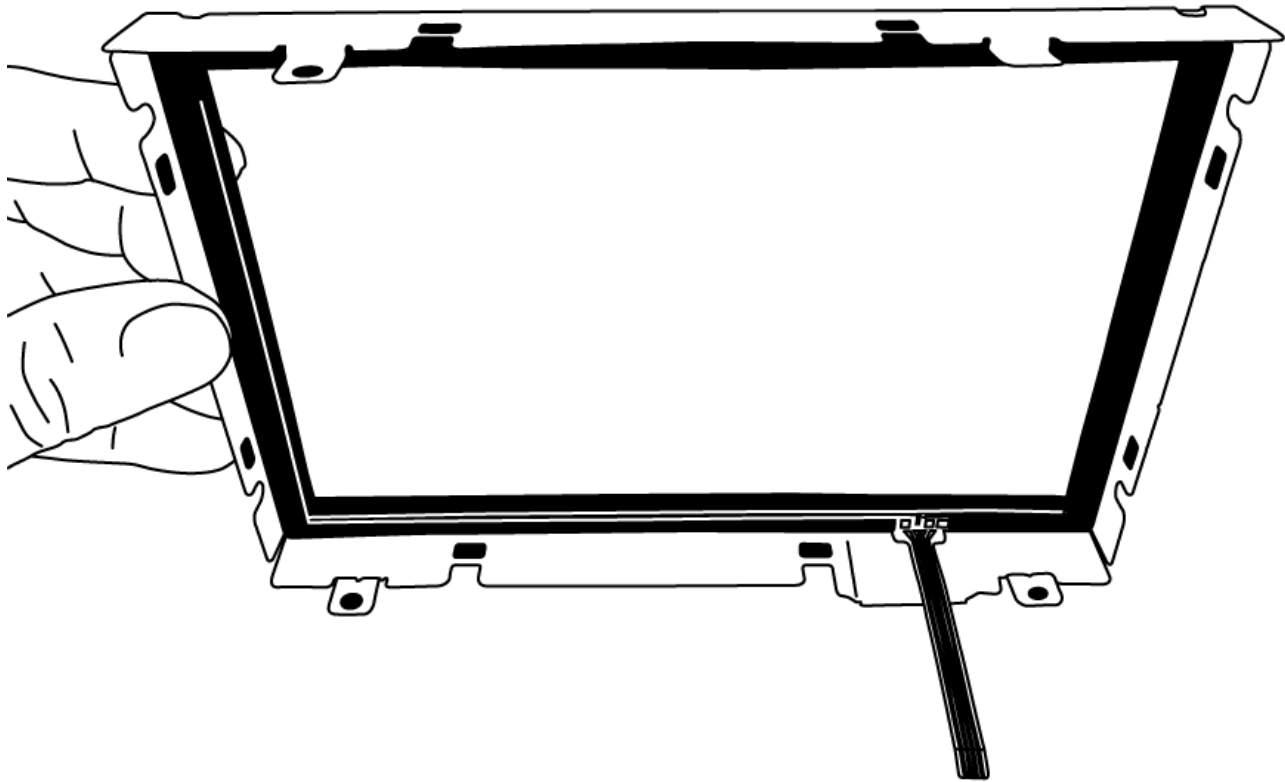
Using the awl tool, remove the front bezel from the LCD assembly



Remove the factory clear plastic screen cover

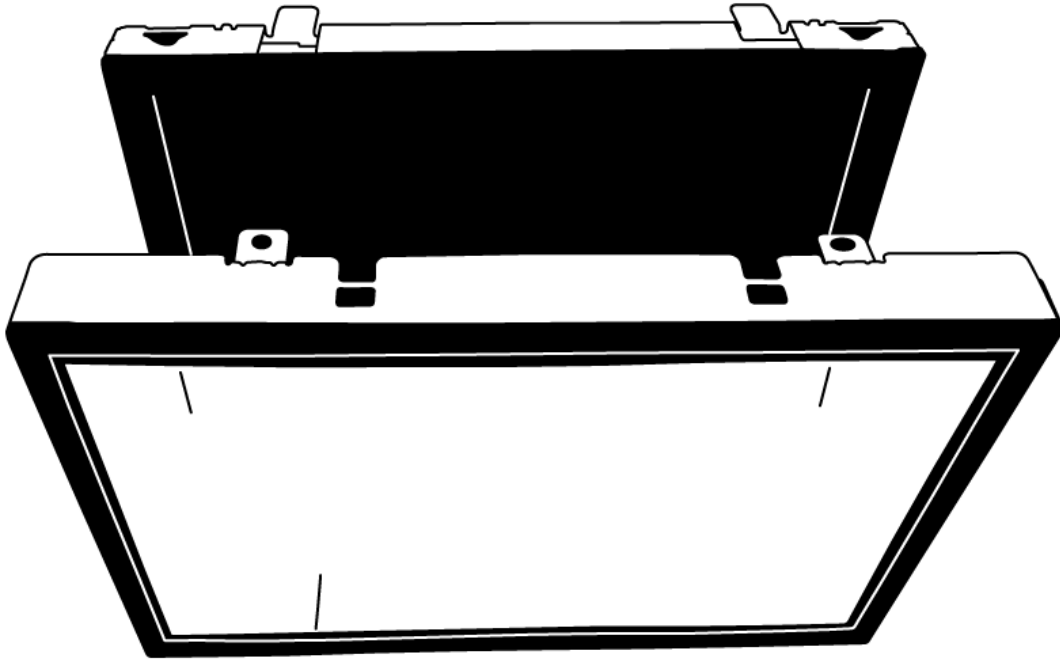


Remove protective plastic from the front side of the supplied touchscreen panel, and carefully install the supplied touchscreen panel in place of the now removed factory clear screen cover.

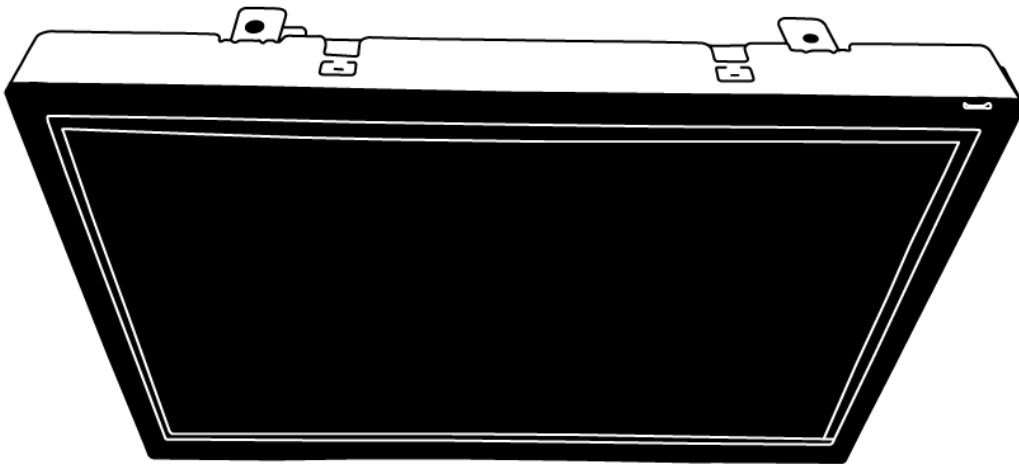


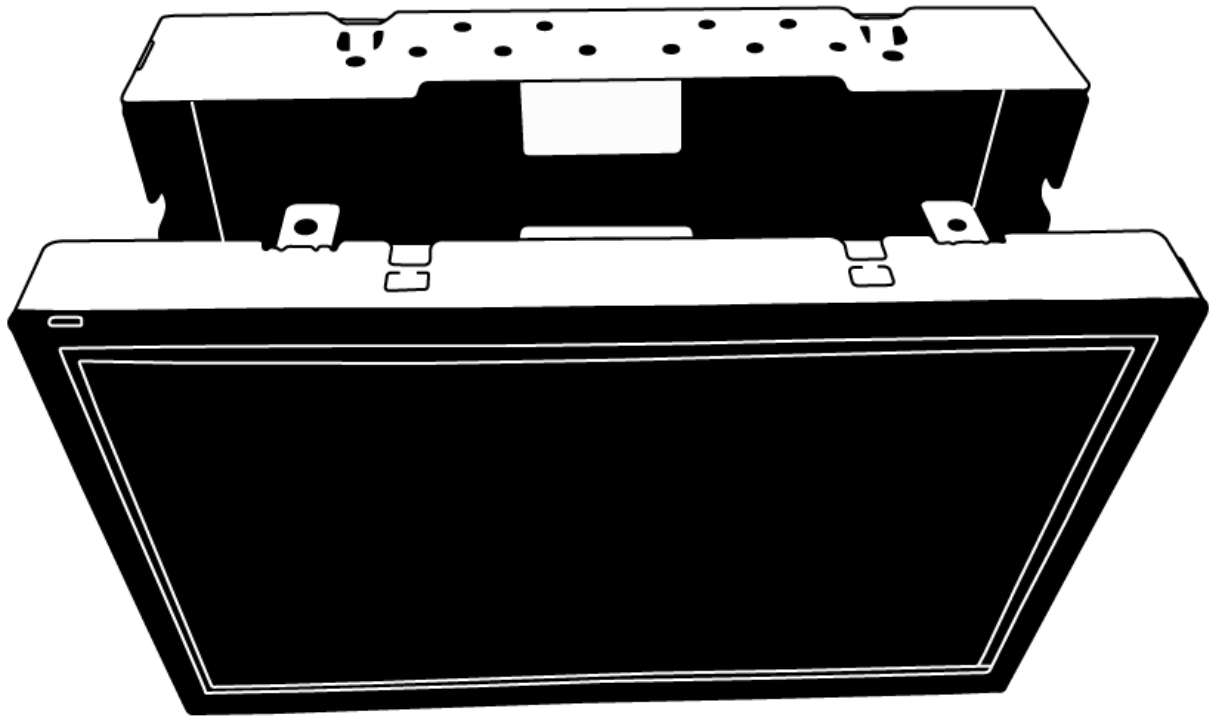
How the new touchscreen panel should look in the front bezel, note that the 4pin ribbon cable sits within the notch on the bezel.

Remove the protective plastic film from the back side of the touchscreen panel, and clean the screen using supplied alcohol wipe. Let it dry.

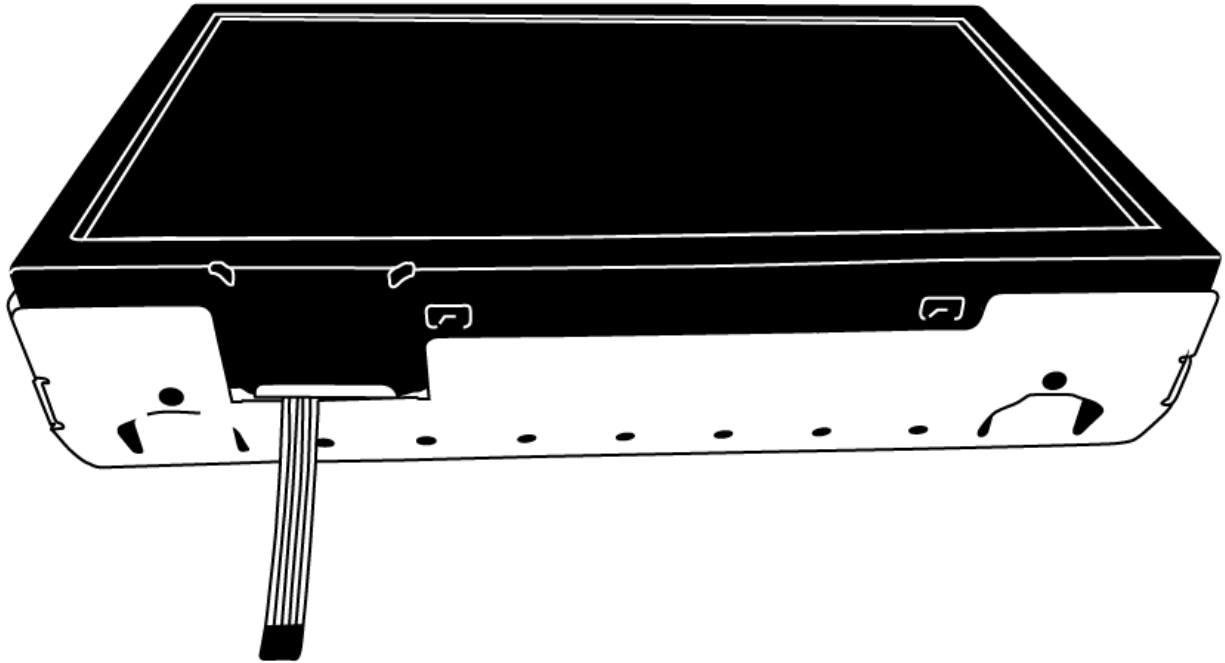


Put the front bezel with new touchscreen panel back together with the LCD display

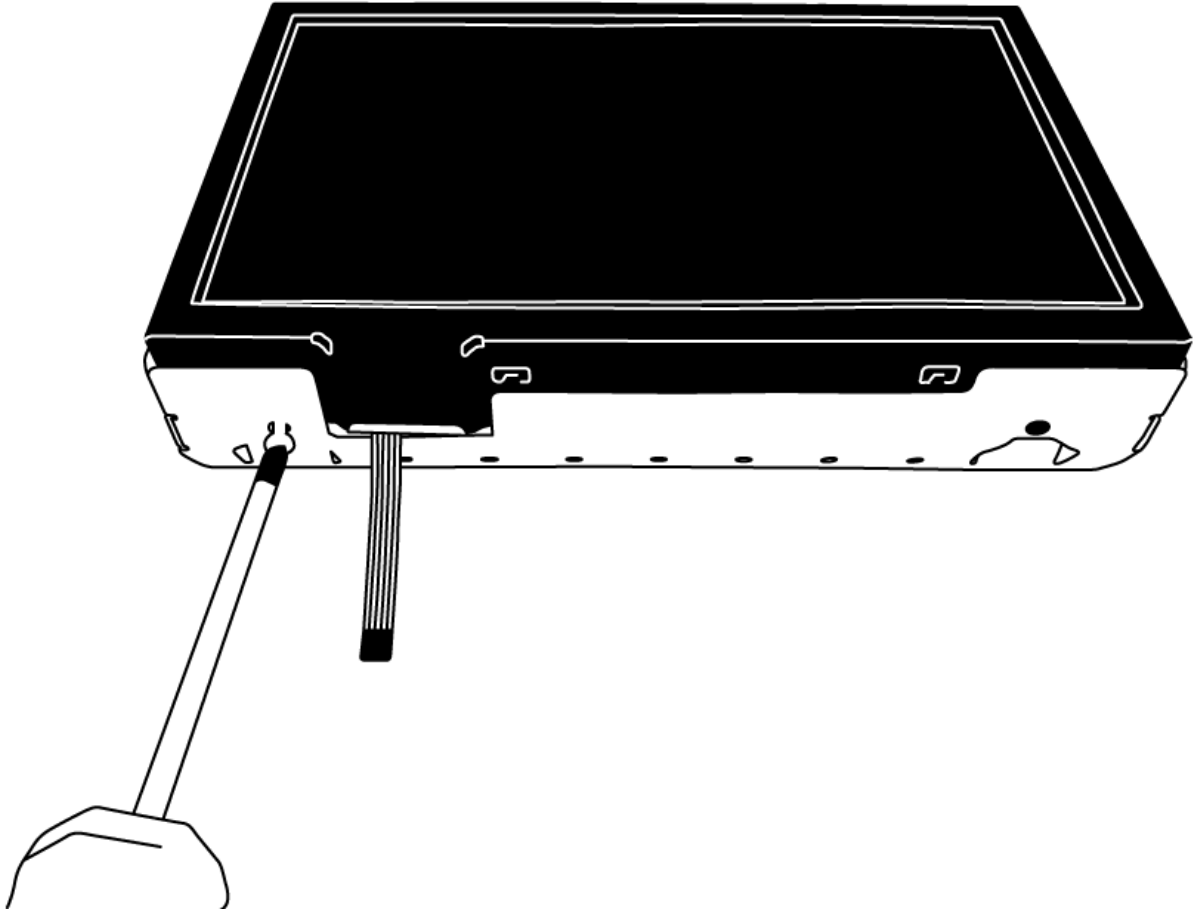




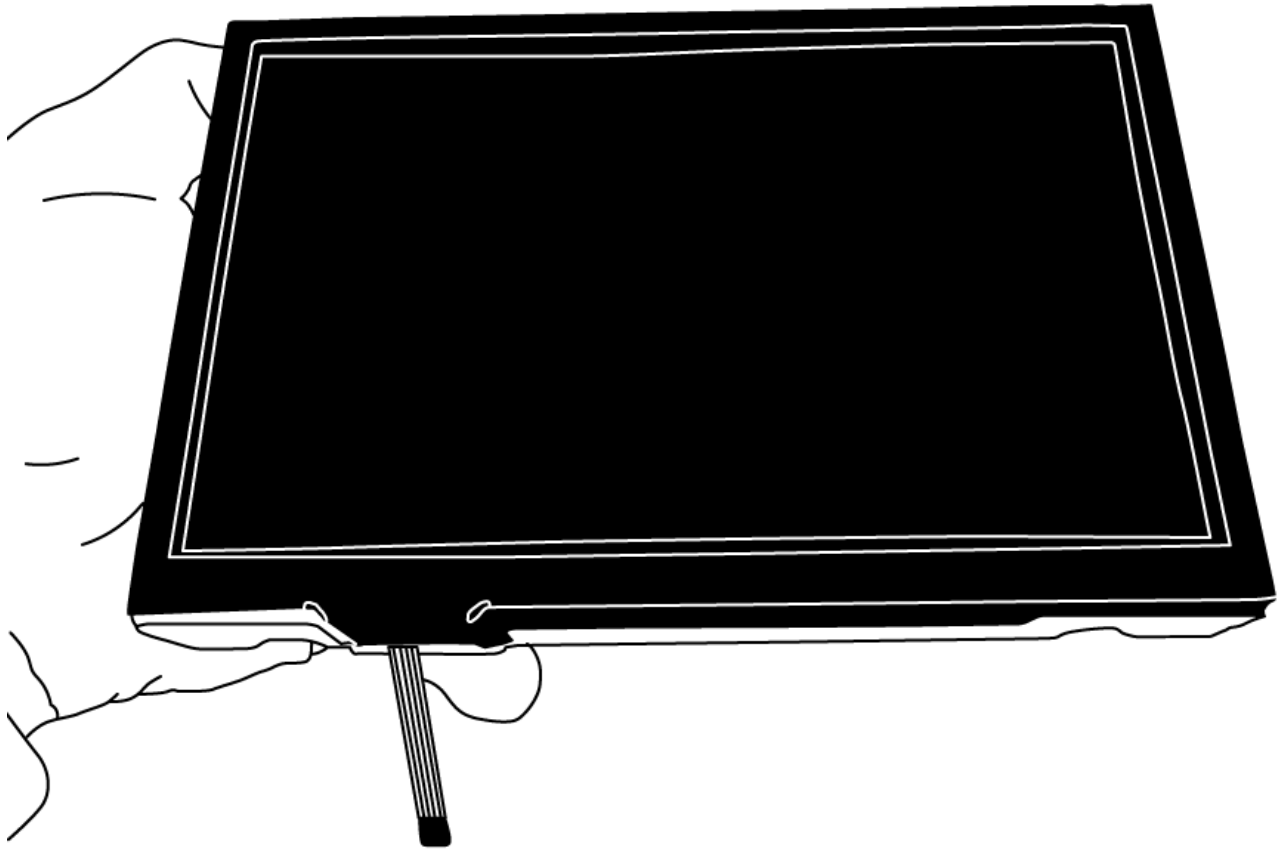
Now put the back cover back on the assembly



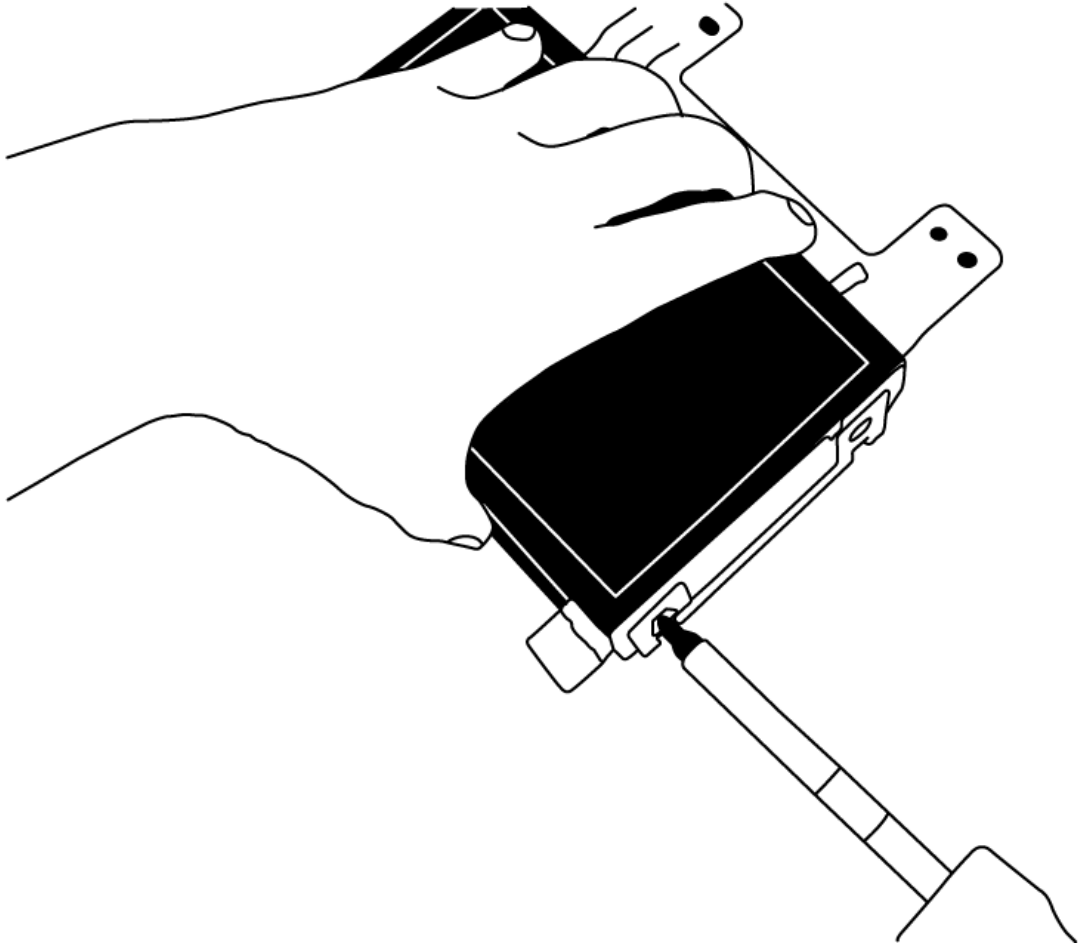
Make sure the 4pin ribbon cable from the touchscreen panel comes through the enclosure gap



Reinstall the 4 Phillips screws, 2 on top 2 on bottom



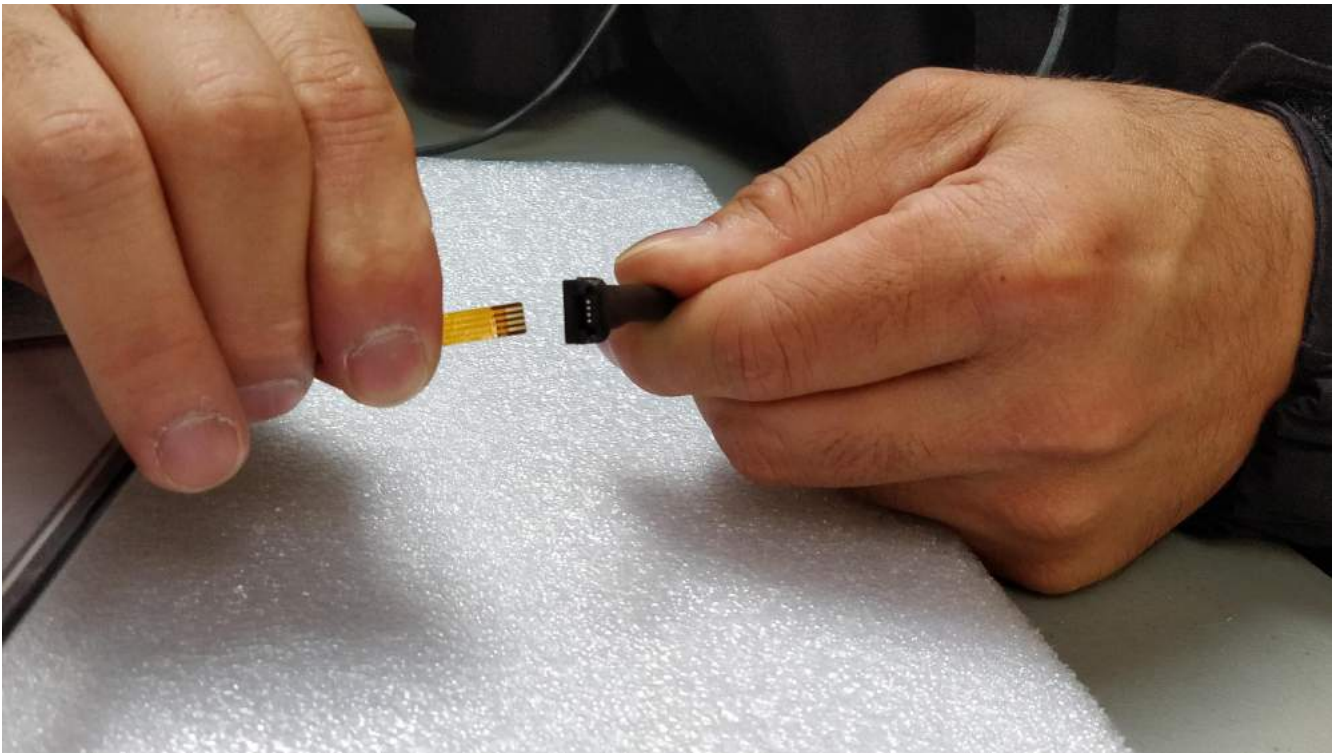
Completed touchscreen/LCD assembly



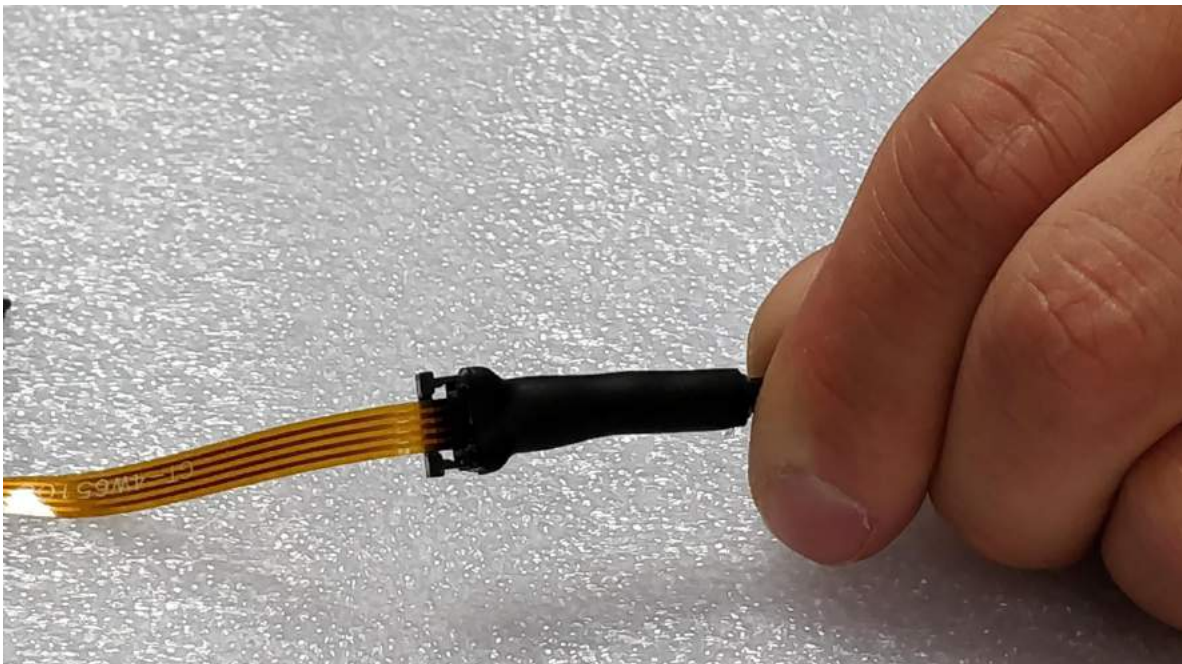
Screw the metal bracket back to the LCD assembly

Connecting to V-Touch Cable

Watch YouTube video: http://bit.ly/nisk_vtouch

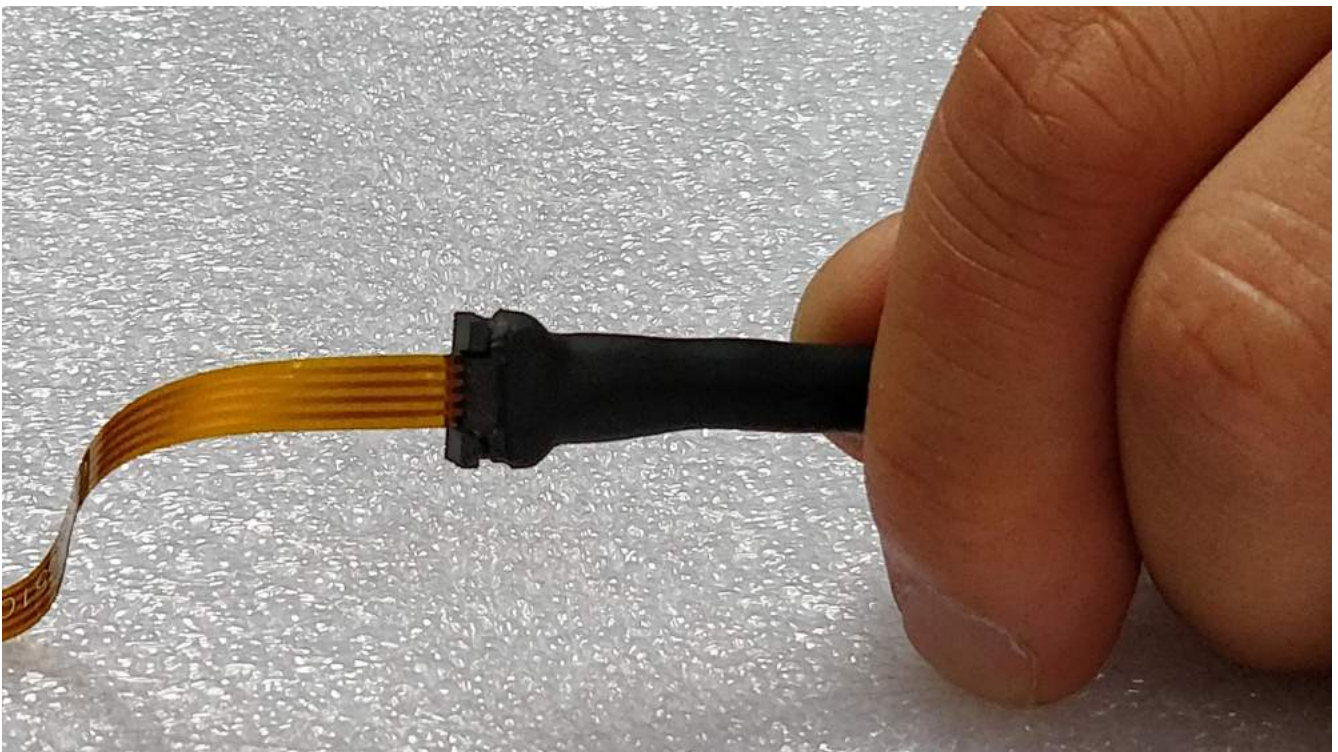


Connect ribbon cable to the V-TOUCH cable. The exposed pins on the ribbon cable should face up. The pins on the V-TOUCH cable should face up.

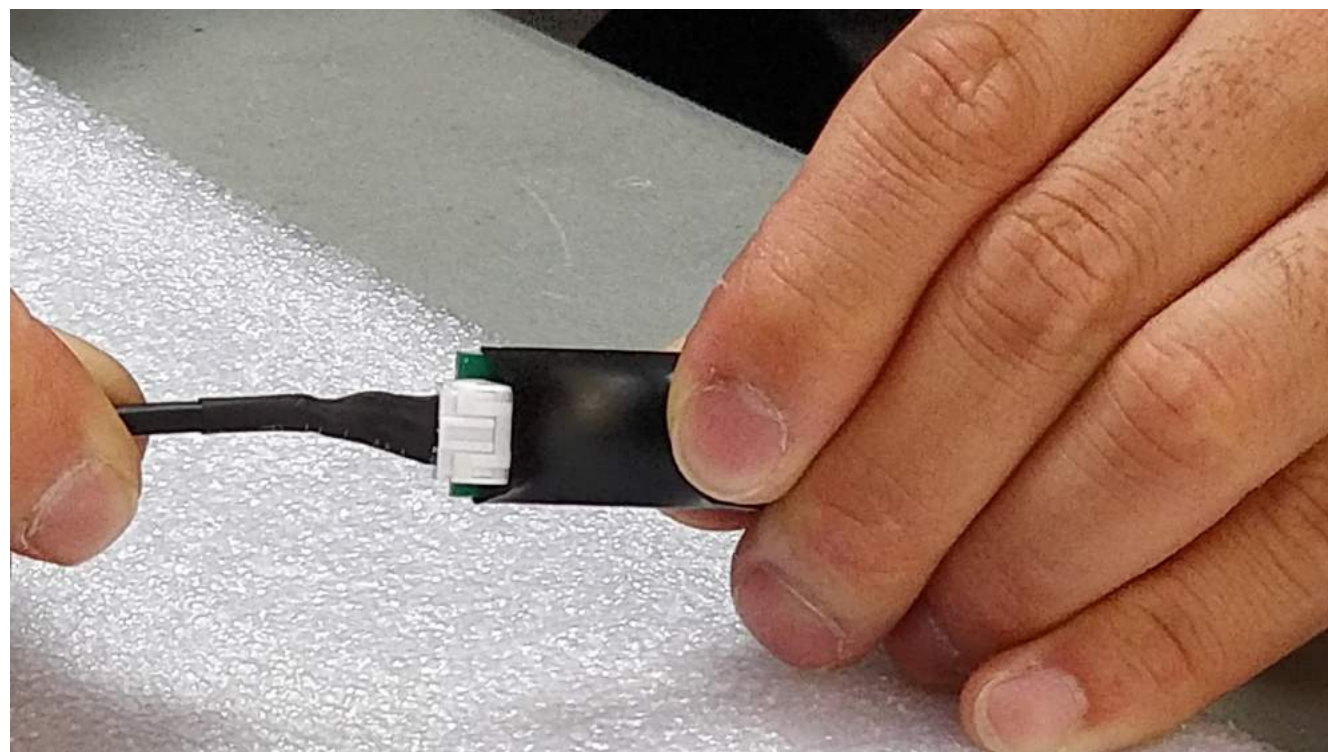
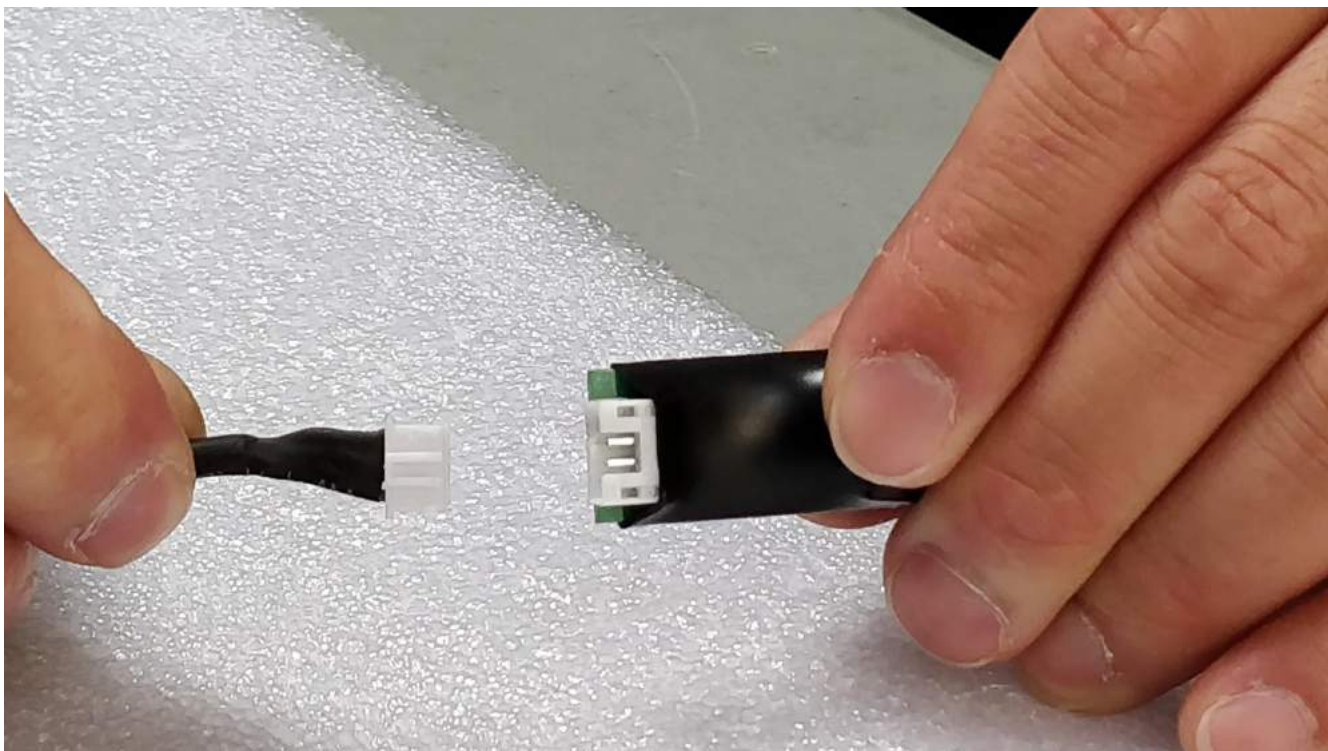


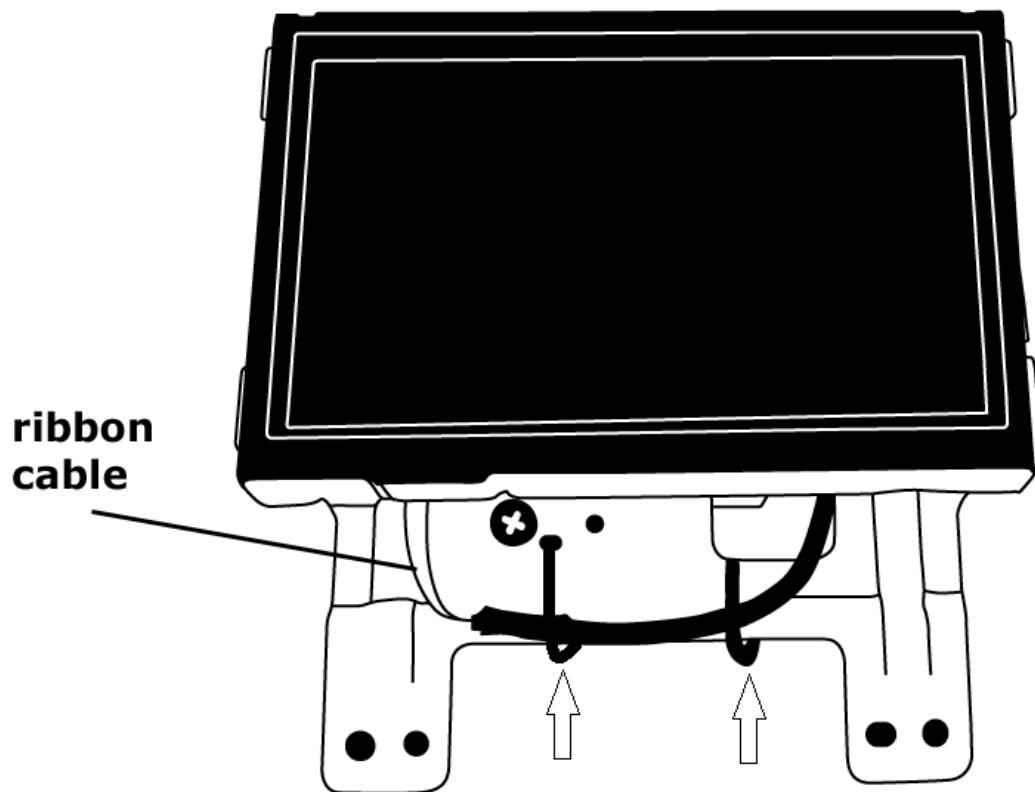


Carefully press locking connector towards the middle and down to the V-TOUCH cable, to secure the pins on the ribbon cable in place.



Connect the other end of V-TOUCH cable to the TSB1 controller board, as shown below.





Carefully route the V-TOUCH cable assembly through the cut-out in the metal bracket to the back side of LCD screen assembly.

Make sure that you do not apply any tension to the ribbon cable. The ribbon cable is very fragile and can break.

Secure the V-TOUCH cable with two zip-ties, as shown above. This will protect ribbon cable from the tension. Cut the zip-tie ends with the wire cutter.

Now you can take the screen assembly back to your vehicle for the next steps. Refer to the Installation Manual for the next steps.